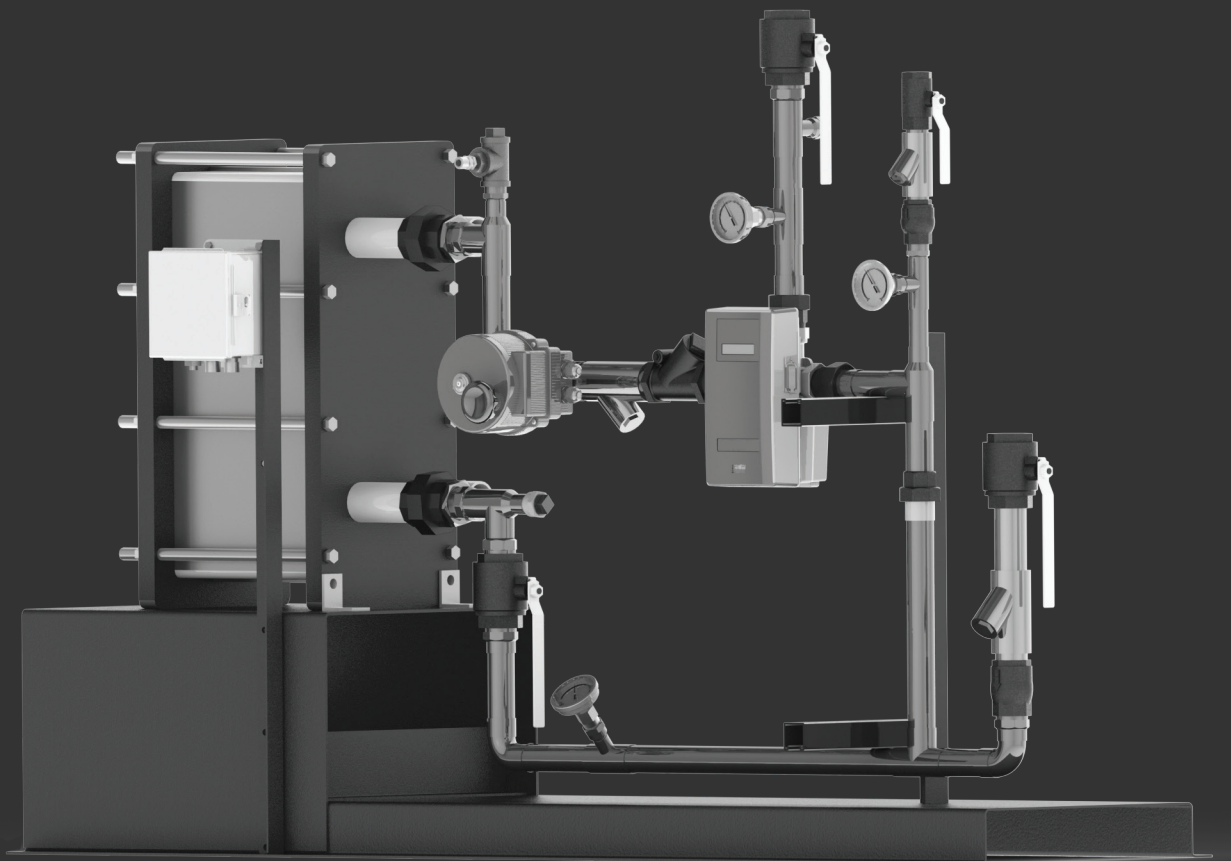




DIGITAL-FLO[®]
BOILER WATER/WATER PLATE & FRAME
HEAT EXCHANGER





Armstrong® Digital-Flo® Boiler Water/Water

Accuracy – Simplicity - Connectivity

Armstrong blends revolutionary digital water temperature control technology with instantaneous Plate & Frame instantaneous heat exchanger design to deliver Digital-Flo®, an industry changing series Boiler Water to Water Heaters.

Digital-Flo® uses digital technology featuring The Brain® Digital Recirculating Valve (DRV) to offer a level of hot water system temperature control accuracy previously considered unattainable.

Digital-Flo® is compatible with Building Automation Systems on the BACnet™, LonWorks™, Modbus protocols and can be remotely programmed from and performance data is accessible by a Web browser.

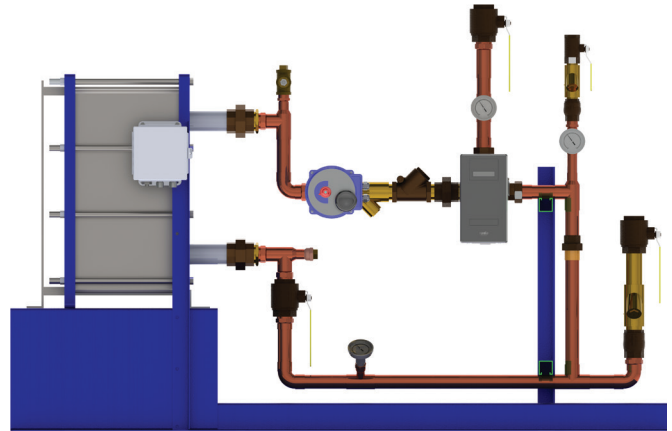
Armstrong Digital Technology

- Powered by low voltage electronics
- Quick response times eliminate the need for primary side controls
- Programmable high/low temperature alert function
- Programmable hot water system safety shutdown
- Self Diagnostic Display Messaging
- Integral Building Automation System (BAS) Modbus Interface
- Serial Connection Point for BAS Interface (BACnet™, LonWorks™, Web)
- Simplified system commissioning

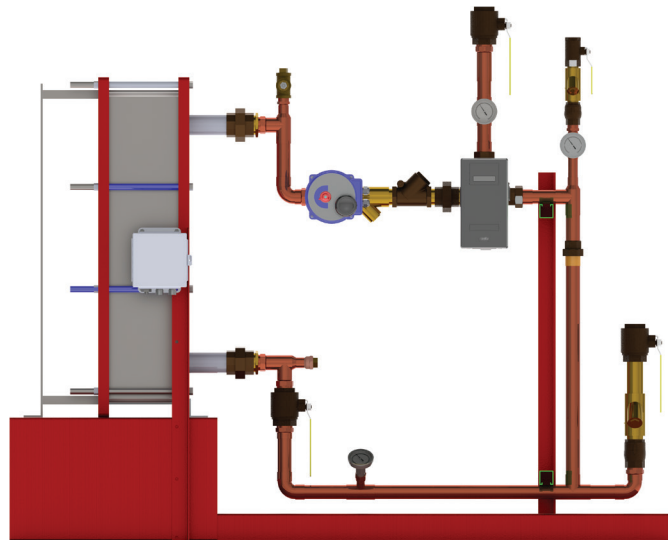
Armstrong Heat Exchange Technology

- Lead Free
- Instantaneous - No Storage
- Small footprint – Compact assembly
- Simplified onsite piping - five connections
- Single wall and double wall 316L stainless steel plates
- Plate and frame PHE design with Nitrile gasket* design facilitates field service

*FDA approved



Single Wall PHE



Double Wall PHE

Designs, materials, weights and performance ratings are approximate and subject to change without notice. Visit armstronginternational.com for up-to-date information.

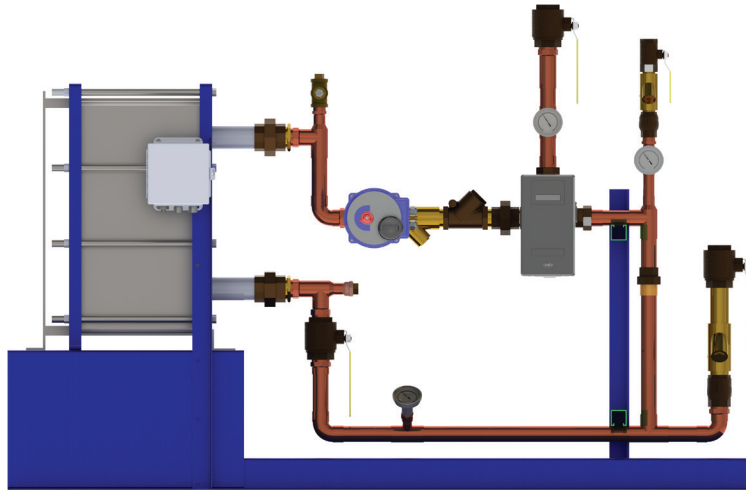
Recirculating Valve (DRV40 & DRV80)



Designs, materials, weights and performance ratings are approximate and subject to change without notice. Visit armstronginternational.com for up-to-date information.



Armstrong® Digital-Flo® Boiler Water/Water Single Wall

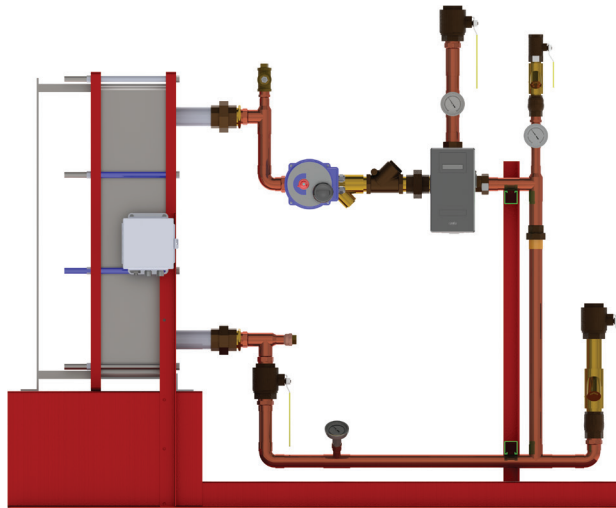


Boiler Water Greater Than 160°F Models							
Model	Domestic Side (Secondary)					Boiler Side (Primary)	
	Capacity 40°F to 140°F Flow (GPM)	Connections		DRV Size (NPT)	BrainScan	Capacity 180°F to 150°F Flow (GPM)	Connections
		Cold/Hot In/Out	Recirc. Return				Cold/Hot In/Out
DF15W40	15	1" NPT	1" NPT	1.5" NPT	No	51	1.25" NPT
DF15W40BS	15	1" NPT	1" NPT	1.5" NPT	Yes	51	1.25" NPT
DF35W40	35	1.5" NPT	1" NPT	1.5" NPT	No	119	2" NPT
DF35W40BS	35	1.5" NPT	1" NPT	1.5" NPT	Yes	119	2" NPT
DF65W50	65	2" NPT	1.5" NPT	3" NPT	No	221	2" NPT
DF65W50BS	65	2" NPT	1.5" NPT	3" NPT	Yes	221	2" NPT
DF90W80	90	3" FLG	2" NPT	3" NPT	No	306	4" FLG
DF90W80BS	90	3" FLG	2" NPT	3" NPT	Yes	306	4" FLG
DF120W80	120	3" FLG	2" NPT	3" NPT	No	407	4" FLG
DF120W80BS	120	3" FLG	2" NPT	3" NPT	Yes	407	4" FLG

Boiler Water Less Than 160°F Models							
Model	Domestic Side (Secondary)					Boiler Side (Primary)	
	Capacity 40°F to 140°F Flow (GPM)	Connections		DRV Size (NPT)	BrainScan	Capacity 150°F to 115°F Flow (GPM)	Connections
		Cold/Hot In/Out	Recirc. Return				Cold/Hot In/Out
DF15WE40	15	1" NPT	1" NPT	1.5" NPT	No	44	1.25" NPT
DF15WE40BS	15	1" NPT	1" NPT	1.5" NPT	Yes	44	1.25" NPT
DF35WE40	35	1.5" NPT	1" NPT	1.5" NPT	No	101	2" NPT
DF35WE40BS	35	1.5" NPT	1" NPT	1.5" NPT	Yes	101	2" NPT
DF65WE50	65	2" NPT	1.5" NPT	3" NPT	No	188	2.5" FLG
DF65WE50BS	65	2" NPT	1.5" NPT	3" NPT	Yes	188	2.5" FLG
DF90WE80	90	3" FLG	2" NPT	3" NPT	No	260	3" FLG
DF90WE80BS	90	3" FLG	2" NPT	3" NPT	Yes	260	3" FLG
DF120WE80	120	3" FLG	2" NPT	3" NPT	No	347	4" FLG
DF120WE80BS	120	3" FLG	2" NPT	3" NPT	Yes	347	4" FLG

Designs, materials, weights and performance ratings are approximate and subject to change without notice. Visit armstronginternational.com for up-to-date information.

Digital-Flo® Boiler Water/Water Double Wall



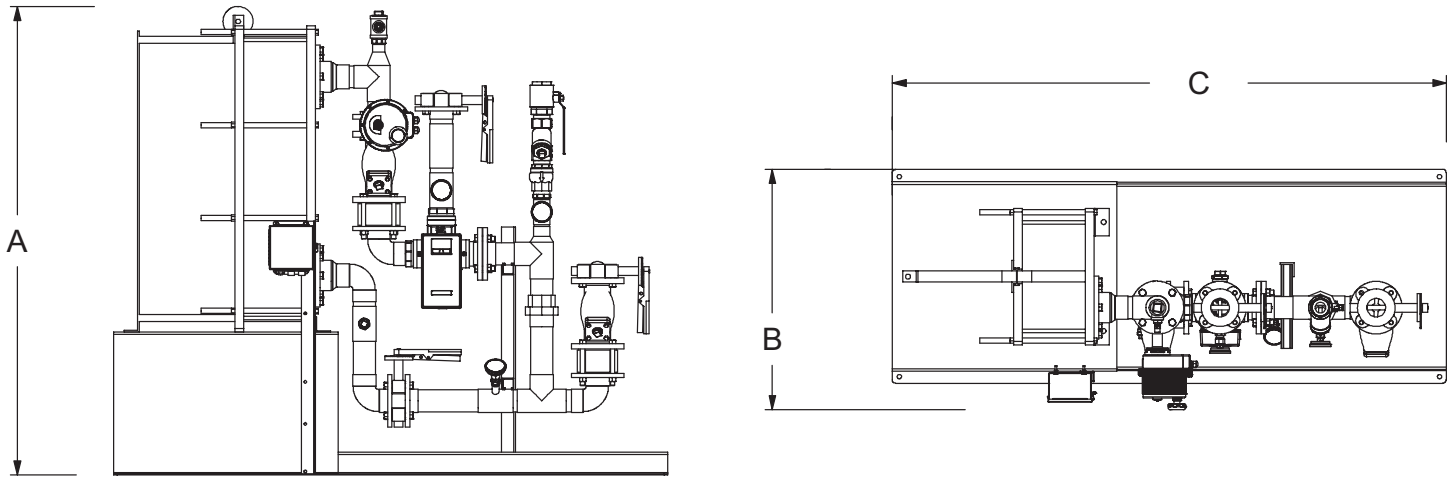
Boiler Water Greater Than 160°F Models							
Model	Domestic Side (Secondary)					Boiler Side (Primary)	
	Capacity 40°F to 140°F Flow (GPM)	Connections		DRV Size (NPT)	BrainScan	Capacity 180°F to 150°F Flow (GPM)	Connections
		Cold/Hot In/Out	Recirc. Return				Cold/Hot In/Out
DF15WDW40	15	1" NPT	1" NPT	1.5" NPT	No	51	1.25" NPT
DF15WDW40BS	15	1" NPT	1" NPT	1.5" NPT	Yes	51	1.25" NPT
DF35WDW40	35	1.5" NPT	1" NPT	1.5" NPT	No	119	2" NPT
DF35WDW40BS	35	1.5" NPT	1" NPT	1.5" NPT	Yes	119	2" NPT
DF65WDW50	65	2" NPT	1.5" NPT	3" NPT	No	221	2" NPT
DF65WDW50BS	65	2" NPT	1.5" NPT	3" NPT	Yes	221	2" NPT
DF90WDW80	90	3" FLG	2" NPT	3" NPT	No	306	4" FLG
DF90WDW80BS	90	3" FLG	2" NPT	3" NPT	Yes	306	4" FLG
DF120WDW80	120	3" FLG	2" NPT	3" NPT	No	407	4" FLG
DF120WDW80BS	120	3" FLG	2" NPT	3" NPT	Yes	407	4" FLG

Boiler Water Less Than 160°F Models							
Model	Domestic Side (Secondary)					Boiler Side (Primary)	
	Capacity 40°F to 140°F Flow (GPM)	Connections		DRV Size (NPT)	BrainScan	Capacity 150°F to 115°F Flow (GPM)	Connections
		Cold/Hot In/Out	Recirc. Return				Cold/Hot In/Out
DF15WEDW40	15	1" NPT	1" NPT	1.5" NPT	No	44	2" NPT
DF15WEDW40BS	15	1" NPT	1" NPT	1.5" NPT	Yes	44	2" NPT
DF35WEDW40	35	1.5" NPT	1" NPT	1.5" NPT	No	101	2" NPT
DF35WEDW40BS	35	1.5" NPT	1" NPT	1.5" NPT	Yes	101	2" NPT
DF65WEDW50	65	2" NPT	1.5" NPT	3" NPT	No	188	4" FLG
DF65WEDW50BS	65	2" NPT	1.5" NPT	3" NPT	Yes	188	4" FLG
DF90WEDW80	90	3" FLG	2" NPT	3" NPT	No	260	4" FLG
DF90WEDW80BS	90	3" FLG	2" NPT	3" NPT	Yes	260	4" FLG
DF120WEDW80	120	3" FLG	2" NPT	3" NPT	No	347	4" FLG
DF120WEDW80BS	120	3" FLG	2" NPT	3" NPT	Yes	347	4" FLG

Designs, materials, weights and performance ratings are approximate and subject to change without notice. Visit armstronginternational.com for up-to-date information.



Digital-Flo® Boiler Water/Water Single Wall Dimensions



Boiler Water Greater Than 160°F Models

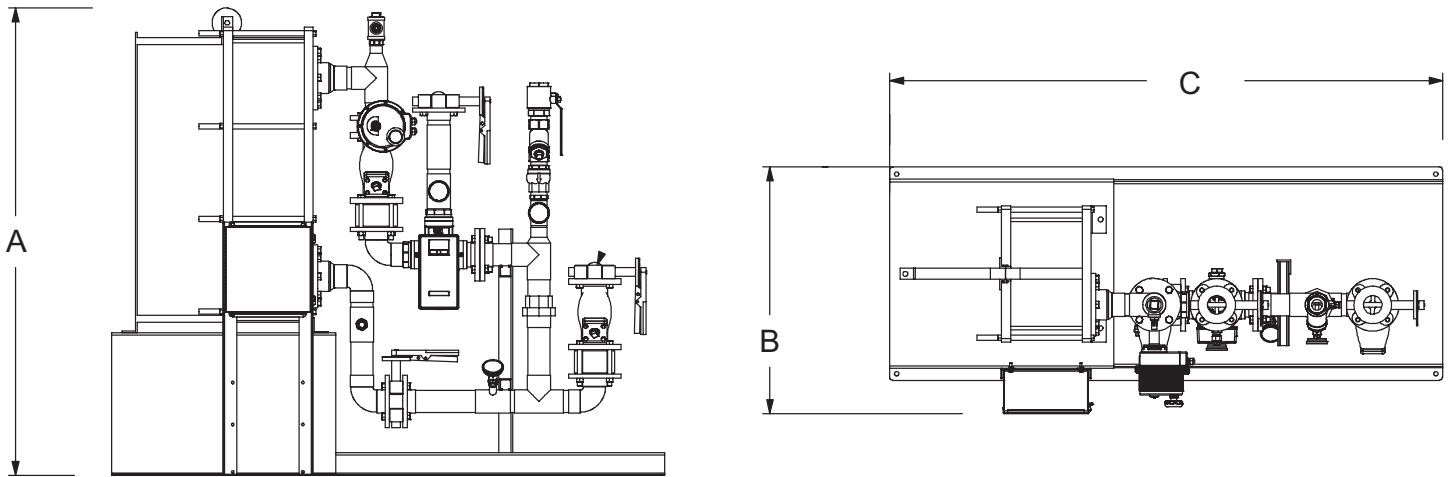
Models	A		B		C	
	in	mm	in	mm	in	mm
DF15W40	40	1016	25	635	68	1727
DF15W40BS	40	1016	27	686	68	1727
DF35W40	50	1270	25	635	76	1930
DF35W40BS	50	1270	27	686	76	1930
DF65W50	65	1651	25	635	94	2388
DF65W50BS	65	1651	27	686	94	2388
DF90W80	67	1702	34	864	79	2007
DF90W80BS	67	1702	35	889	79	2007
DF120W80	67	1702	34	864	79	2007
DF120W80BS	67	1702	35	889	79	2007

Boiler Water Less Than 160°F Models

Models	A		B		C	
	in	mm	in	mm	in	mm
DF15WE40	56	14221	25	635	68	1727
DF15WE40BS	56	1422	27	686	68	1727
DF35WE40	62	1575	25	635	84	2134
DF35WE40BS	62	1575	27	686	84	2134
DF65WE50	65	1651	29	737	86	2184
DF65WE50BS	65	1651	31	787	86	2184
DF90WE80	61	1549	34	864	79	2007
DF90WE80BS	61	1549	35	889	79	2007
DF120WE80	62	1575	34	864	94	2388
DF120WE80BS	62	1575	35	889	94	2388

Designs, materials, weights and performance ratings are approximate and subject to change without notice. Visit armstronginternational.com for up-to-date information.

Digital-Flo® Boiler Water/Water Double Wall Dimensions



Boiler Water Greater Than 160°F Models

Models	A		B		C	
	in	mm	in	mm	in	mm
DF15WDW40	40	1016	25	635	68	1727
DF15WDW40BS	40	1016	27	686	68	1727
DF35WDW40	62	1575	25	635	76	1930
DF35WDW40BS	62	1575	27	686	76	1930
DF65WDW50	65	1651	25	635	94	2388
DF65WDW50BS	65	1651	27	686	94	2388
DF90WDW80	67	1702	34	864	79	2007
DF90WDW80BS	67	1702	35	889	79	2007
DF120WDW80	64	1626	34	864	94	2388
DF120WDW80BS	64	1626	35	889	94	2388

Boiler Water Less Than 160°F Models

Models	A		B		C	
	in	mm	in	mm	in	mm
DF15WEDW40	56	1422	25	635	68	1727
DF15WEDW40BS	56	1422	27	686	68	1727
DF35WEDW40	62	1575	25	635	84	2134
DF35WEDW40BS	62	1575	27	686	84	2134
DF65WEDW50	67	1702	33	838	106	2692
DF65WEDW50BS	67	1702	35	889	106	2692
DF90WEDW80	64	1626	34	864	94	2388
DF90WEDW80BS	64	1626	35	889	94	2388
DF120WEDW80	64	1626	34	864	94	2388
DF120WEDW80BS	64	1626	35	889	94	2388

Designs, materials, weights and performance ratings are approximate and subject to change without notice. Visit armstronginternational.com for up-to-date information.



INTELLIGENT SOLUTIONS IN STEAM, AIR, AND HOT WATER

Armstrong International

North America • Latin America • India • Europe / Middle East / Africa • China • Pacific Rim

armstronginternational.com